

Inlet Filter Silencers/ Silencers



Technical Data	pg. 2-2
Miniature Filter Silencers	
FS Series 1/4" - 1" BSPT, 7 - 60 m ³ /h	pg. 2-4
PS Series 1/8" - 1" BSPT, 5 - 43 m ³ /h	pg. 2-5
Compact Filter Silencers	
FS Series: 1/2" - 6" BSPT, 17 - 1870 m ³ /h	pg. 2-6
FS Series: DN80 - DN100, 510 - 1870 m ³ /h	pg. 2-7
Big Boy Filter Silencers	
FS Series: DN200 - DN300, 3060 - 7990 m ³ /h	pg. 2-8
Side Channel Blower Silencers:	
SLCR Series: 1/2" - 4", 45 - 980 m ³ /h	pg. 2-9
Compact Filter Silencers for Blowers	
QB Series: 2" - 6" BSPT, 230 - 1870 m ³ /h	pg. 2-10
QB Series: DN80 - DN150, 510 - 1870 m ³ /h	pg. 2-10
Big Boy Filter Silencers for Blowers	
QB Series: DN200 - DN300, 3060 - 7990 m ³ /h	pg. 2-12
Silencer Base Frames	
BBF Series: 2" - 6", 230 - 1870 m ³ /h	pg. 2-13
Lateral Access Filter Silencers	
LQB Series: 3" - DN300, 510 - 5670 m ³ /h	pg. 2-14
Sumo Class Filter Silencers Up to 13600 m ³ /h	pg. 2-15
Multibarrel Filter Silencers: Up to 42500 m ³ /h	pg. 2-15

Applications & Equipment

- Industrial & Severe Duty
- Blowers - Side Channel & Roots (P.D.)
- Breathers
- Fuel Cells
- Piston Compressors
- Screw Compressors
- Centrifugal Compressors
- Hydraulic Breathers – fine filtration
- Engines
- Fans
- Vacuum Pumps & Systems
- Construction\Contractor Industry
- Medical
- Pneumatic Conveying
- Waste Water Aeration
- Sparging
- Factory Air
- Vacuum Vent Breathers
- Cement
- Power Plants
- Centralized Air Intakes
- Inquires Encouraged

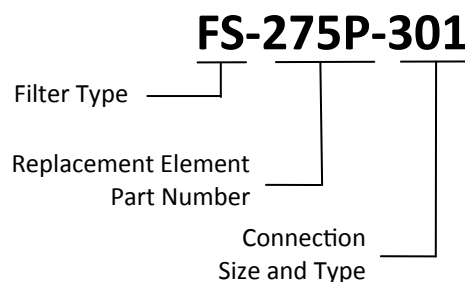
Identification

All Solberg products should have an identification label/nameplate that gives the following information:

Assembly Model #

Replacement Element #

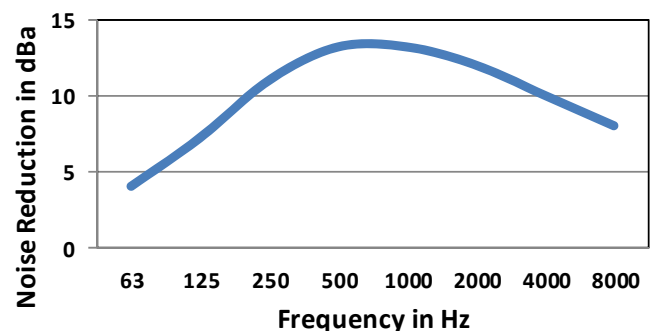
The part number designates the filter type, the element configuration and housing connection size. For example, the following part number identifies the filter as being a “FS” design filter with a “275” element, “P” prefilter and 3” BSPT connection size.



Typical Noise Attenuation

See chart for typical noise attenuation for the FS Series & QB Series. It may vary due to the wide range of applications, installations, & machines.

Typical Noise Attenuation



Choosing the Best Filter for your Equipment

A. Connection & Airflow known:

1. Select appropriate **BSPT Outlet or FLG Outlet** and check **Assembly m³/h Rating**. Compare with your required airflow. *Note: Assembly m³/h ratings are based on 30m/sec or 6,000 FPM for a given connection size to achieve low pressure drop performance. When required flow exceeds Assembly flow rating, the pressure drop through the outlet connection will increase. In such cases select by element flow rating.*
2. Go to "C. Selecting Elements"

B. Connection size is unknown or flexible:

Go to "C. Selecting Elements"

C. Selecting Elements: Element selection is based on application duty Standard media are:

Polyester: all purpose; withstands pulses, moistures & oily air

Paper: mostly dry, smooth flow

applications

When required flow rating (m³/h) matches connection size:

1. Multiple elements are offered to be selected by Duty (See Duty Descriptions below)
2. Match element with anticipated Duty

D. When required flow rating (m³/h) exceeds assembly flow rating or connection size is unknown:

1. Match required flow rating with **Element Flow Rating**
2. Review application by Duty and upsize accordingly
3. Choose connection size

Application Duty Descriptions: Regular maintenance checks and proper servicing is required. Actual performance is influenced by the Application Duty:

Industrial Duty = clean workshop or clean outdoor environment-small element sizing is sufficient.

Severe Duty = dirty workshop, wastewater- medium to large element is recommended.

Extreme Duty = Cement, steel making, plastics or dusty material conveying – Largest element sizing is recommended.

Element Maintenance

Solberg elements should be cleaned or replaced, once the pressure drop reaches 37-50 mbar above the initial pressure drop of the installation.

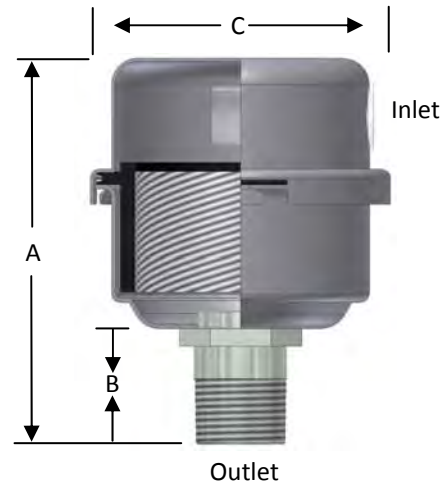
The decision to clean the element rather than replace it is left to the discretion of the operator. Any damage which results from by-pass or additional pressure drop created by element cleaning is the sole responsibility of the operator.

Note: The overall performance of a filter element is altered once cleaned. The initial pressure drop after subsequent cleanings will be greater than the original, clean pressure drop of the element. After each cleaning, the pressure drop will continue to increase. Under all circumstances, the initial pressure drop of the element needs to be maintained at less than 37 mbar.

Once the element has been cleaned, if the pressure drop exceeds 50 mbar at start-up; it must be replaced with a new element. With many types of equipment, the maximum pressure drop allowed will be dictated by the ability of the equipment to perform to its rated capacity. Under all circumstances, the operator should avoid exceeding the manufacturer's recommended maximum pressure drop for their specific equipment.

Miniature Filter Silencers

FS Series 1/4" - 1"



Features

- High grade filter element with integrated gasket seal
- Fully drawn weatherhood - no welds to rust or vibrate apart
- Tubular silencing design - tube maximizes attenuation and air flow while minimizing pressure drop
- Durable carbon steel construction with black powder coat finish
- Ability to mount vertically and horizontally

Options

- Various media for different environments
- Straight through configuration
- Epoxy coated finishes
- Special connections

Technical Specifications

- Temp (continuous): min -26°C (-15°F) max 104°C (220°F)
- Filter change out differential: 37-50 mbar over initial ΔP
- Polyester: 99%+ removal efficiency standard to 25 micron
- Paper: 99%+ removal efficiency standard to 2 micron
- Pressure drop graphs available upon request

Outlet Connections

MPT Outlet	Assembly m ³ /h Rating	Assembly Part Number		Dimensions - mm			No. of Silencing Tubes	Approx. Weight kg	Replacement Element Part No.		Element m ³ /h Rating
		Polyester	Paper	A	B	C			Polyester	Paper	
1/4"	7	FS-05-025	FS-04-025	70	16	64	1	0.11	05	04	14
3/8"	14	FS-05-038	FS-04-038	70	16	64	1	0.11	05	04	14
3/8"	14	FS-07-038	FS-06-038	90	16	83	1	0.23	07	06	20
1/2"	14	FS-05-050	FS-04-050	76	22	64	1	0.11	05	04	14
1/2"	20	FS-07-050	FS-06-050	97	22	83	1	0.23	07	06	20
1/2"	20	FS-11-050	FS-10-050	105	22	105	1	0.45	11	10	60
3/4"	20	FS-07-075	FS-06-075	106	32	83	1	0.23	07	06	20
3/4"	43	FS-11-075	FS-10-075	114	32	105	1	0.45	11	10	60
1"	60	FS-11-100	FS-10-100	114	32	105	1	0.45	11	10	60

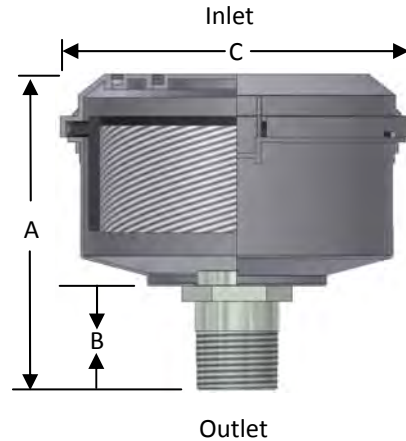
See Filter Silencer Technical Data section for sizing guidelines.

Note: MPT threaded housings are interchangeable with BSPT up to 1".

Dimension tolerance ± 6 mm

Note: Model offerings and design parameters may change without notice. See www.solbergmfg.com for most current offering.

Tidbit: Charlie Solberg Jr. created a patented process to manufacture our Hockey Puck Style Filter Elements that are used in these housings.



Features

- Easy snap-on design for quick servicing
- Durable glass reinforced nylon housing
- Compact, low profile configuration
- Noise reducing silencing design
- High grade filter element with integrated gasket seal

Benefits

- Maximized surface area over cartridge style elements
- Cost efficient solution
- Low restriction improves equipment performance

Technical Specifications

- Temp (continuous): min -26°C (-15°F) max 104°C (220°F)
- Filter change out differential: 37-50 mbar over initial Δ P
- Pressure drop graphs available upon request
- Polyester: 99%+ removal efficiency standard to 25 micron
- Paper: 99%+ removal efficiency standard to 2 micron

Options

- Various media for different environments

Outlet Connections

MPT Outlet	Assembly m ³ /h Rating	Assembly Part Number		Dimensions - mm			Approx. Weight kg	Replacement Element Part No.		Element m ³ /h Rating
		Polyester	Paper	A	B	C		Polyester	Paper	
1/8"	5	PS-03-013	PS-02-013	44	10	44	0.02	03	02	5
1/4"	5	PS-03-025	PS-02-025	44	10	44	0.02	03	02	5
1/4"	7	PS-05-025	PS-04-025	57	10	67	0.04	05	04	14
3/8"	10	PS-05-038	PS-04-038	57	10	67	0.04	05	04	14
1/2"	10	PS-05-050	PS-04-050	57	13	67	0.04	05	04	14
1/2"	17	PS-07-050	PS-06-050	* 80	18	83	0.09	07	06	20
1/2"	20	PS-11-050	PS-10-050	* 80	18	106	0.14	11	10	60
3/4"	20	PS-07-075	PS-06-075	* 89	25	83	0.14	07	06	20
3/4"	34	PS-11-075	PS-10-075	* 89	25	106	0.16	11	10	60
1"	43	PS-11-100	PS-10-100	* 89	25	106	0.18	11	10	60
Slotted Tube	43	PS-11-40mm	PS-10-40mm	* 82	19	106	0.11	11	10	60

* Contact factory for availability and lead times.

Dimension tolerance ± 6 mm

Note: MPT threaded housings are interchangeable with BSPT up to 1".

See Filter Silencer Technical Data section for sizing guidelines.

Note: Model offerings and design parameters may change without notice. See www.solbergmfg.com for most current offering.

Compact Filter Silencers

FS Series 1/2" - DN150 BSPT, Flange

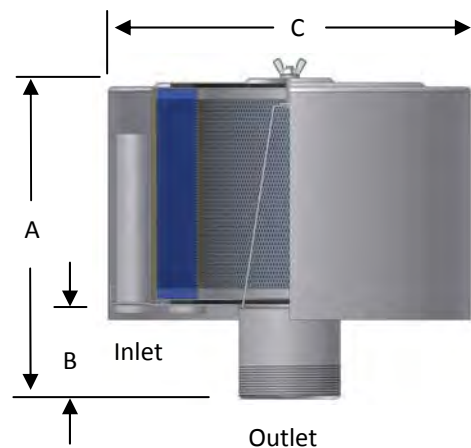


Features

- Fully drawn weatherhood - no welds to rust or vibrate apart
- Tubular silencing design - tubes are positioned to maximize attenuation and air flow while minimizing pressure drop
- Durable carbon steel construction with baked enamel finish & powder coated weatherhood

Technical Specifications

- Temp (continuous): min -26°C (-15°F) max 104°C (220°F)
- Filter change out differential: 37-50 mbar over initial ΔP
- Pressure drop graphs available upon request
- Polyester: 99%+ removal efficiency standard to 5 micron
- Paper: 99%+ removal efficiency standard to 2 micron



Options

- 1/8" tap hole (only available for 3" & larger connections)
- Pressure drop indicator (See page 3-12)
- Various media for different environments
- Stainless steel construction
- Epoxy coated finish
- Special connections
- Side Access Silencer Filters (LQB Series) for space restricted enclosures (select models)

Tidbit: Charlie Solberg Sr. "Senior" designed our first filter silencer in 1966. The FS-15 size filter was created for small air compressors.



Outlet Connections

Outlet Size	Outlet Type	Assembly m ³ /h Rating	Assembly Part Number		Dimensions - mm			No. of Silencing Tubes	Approx. Weight kg	Replacement Element Part No.		Element m ³ /h Rating
			Polyester	Paper	A	B	C			Polyester	Paper	
1/2"	MPT	17	FS-15-050	FS-14-050	102	38	152	1	0.8	15	14	60
3/4"	MPT	43	FS-15-075	FS-14-075	102	38	152	2	0.9	15	14	60
1"	MPT	60	FS-15-100	FS-14-100	102	38	152	3	0.9	15	14	60
1"	MPT	94	FS-19P-100	FS-18P-100	168	41	152	3	1.4	19P	18P	170
1 1/4"	BSPT	119	FS-19P-126	FS-18P-126	168	41	152	5	1.5	19P	18P	170
1 1/2"	BSPT	145	FS-19P-151	FS-18P-151	168	41	152	5	1.6	19P	18P	170
2"	BSPT	230	FS-31P-201	FS-30P-201	184	57	254	5	3.5	31P	30P	332
2"	BSPT	230	FS-231P-201	FS-230P-201	311	57	254	5	6.3	231P	230P	510
2 1/2"	BSPT	332	FS-31P-251	FS-30P-251	191	64	254	5	3.7	31P	31P	332
2 1/2"	BSPT	332	FS-231P-251	FS-230P-251	318	64	254	9	6.5	231P	230P	510
3"	BSPT	510	FS-231P-301	FS-230P-301	330	76	254	9	6.8	231P	230P	510
3"	BSPT	510	FS-235P-301	FS-234P-301	330	76	406	9	13	235P	234P	970
3"	BSPT	510	FS-275P-301	FS-274P-301	330	76	406	9	15	275P	274P	1870
4"	BSPT	885	FS-235P-401	FS-234P-401	356	102	406	9	14	235P	234P	970
4"	BSPT	885	FS-275P-401	FS-274P-401	356	102	406	9	15	275P	274P	1870
5"	BSPT	1360	FS-245P-501	FS-244P-501	356	102	406	14	15	245P	244P	1500
5"	BSPT	1360	FS-275P-501	FS-274P-501	356	102	406	14	16	275P	274P	1870
6"	BSPT	1870	FS-275P-601	FS-274P-601	394	133	406	18	17	275P	274P	1870

See Filter Silencer Technical Data section for sizing guidelines.

Dimension tolerance ± 6 mm

Note: MPT threaded housings are interchangeable with BSPT up to 1".

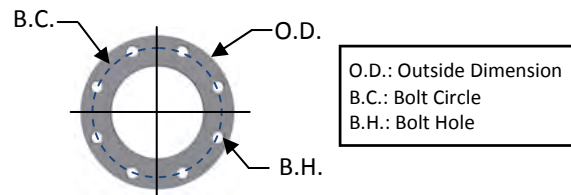
PN10 Pattern Flange Outlet Connections

Flange Outlet	Assembly m ³ /h Rating	Assembly Part Number		Dimensions - mm			No. of Silencing Tubes	Approx. Weight kg	Replacement Element Part No.		Element m ³ /h Rating
		Polyester	Paper	A	B	C			Polyester	Paper	
DN80	510	FS-235P-DN80	FS-234P-DN80	330	76	406	9	13	235P	234P	970
DN80	510	FS-275P-DN80	FS-274P-DN80	330	76	406	9	15	275P	274P	1870
DN100	885	FS-235P-DN100	FS-234P-DN100	356	102	406	9	15	235P	234P	970
DN100	885	FS-275P-DN100	FS-274P-DN100	356	102	406	9	18	275P	274P	1870
DN125	1360	FS-245P-DN125	FS-244P-DN125	356	102	406	14	17	245P	244P	1500
DN125	1360	FS-275P-DN125	FS-274P-DN125	356	102	406	14	18	275P	274P	1870
DN150	1870	FS-275P-DN150	FS-274P-DN150	394	133	406	18	19	275P	274P	1870

See Filter Silencer Technical Data section for sizing guidelines.

Dimension tolerance ± 6 mm

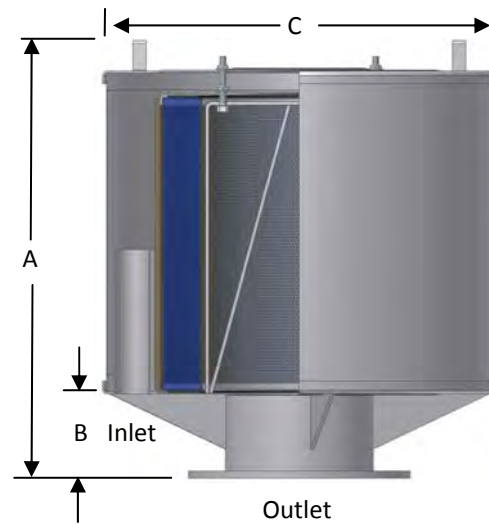
PN10 Pattern Flange	Dimensions - mm			No. of Holes	Flange Thickness
	O.D.	B.C.	B.H.		
DN 80	200	160	18	8	20
DN100	220	180	18	8	20
DN125	250	210	18	8	22
DN150	285	240	22	8	22



Note: Model offerings and design parameters may change without notice. See www.solbergmfg.com for most current offering.

Big Boy Filter Silencers

FS Series DN200 – DN300 Flange



Features

- Tubular silencing design - tubes are positioned to maximize attenuation and air flow while minimizing pressure drop
- Durable carbon steel construction with baked enamel finish
- Low pressure drop center bracket & outlet pipe design

Technical Specifications

- Temp (continuous): min -26°C (-15°F) max 104°C (220°F)
- Filter change out differential: 37-50 mbar over initial ΔP
- Pressure drop graphs available upon request
- Polyester: 99%+ removal efficiency standard to 5 micron
- Paper: 99%+ removal efficiency standard to 2 micron

Options

- 1/8" tap holes
- Pressure drop indicator (See page 3-12)
- Various media for different environments
- Stainless steel construction
- Epoxy coated finish
- Special connections
- Side Access Silencer Filters (LQB Series) for space restricted enclosures (select models)

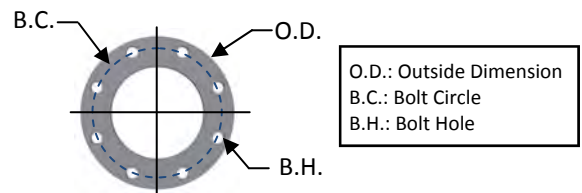
PN10 Pattern Flange Outlet Connections

Flange Outlet	Assembly m ³ /h Rating	Assembly Part Number		Dimensions - mm			No. of Silencing Tubes	Approx. Weight kg	Replacement Element Part No.		Element m ³ /h Rating
		Polyester	Paper	A	B	C			Polyester	Paper	
DN200	3060	FS-377P-DN200	FS-376P-DN200	584	152	572	12	54	377P	376P	3105
DN200	3060	FS-385P-DN200	FS-384P-DN200	584	152	724	12	56	385P	384P	5610
DN250	5610	FS-385P-DN250	FS-384P-DN250	584	152	724	16	59	385P	384P	5610
DN250	5610	FS-485P-DN250	FS-484P-DN250	787	152	724	16	64	485P	484P	8000
DN300	7990	FS-485P-DN300	FS-484P-DN300	787	152	724	24	70	485P	484P	8000
DN300	7990	FS-685P-DN300	FS-384P(2)-DN300	965	152	724	24	79	685P	384P	11220

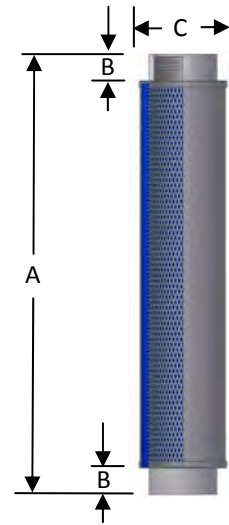
See Filter Silencer Technical Data section for sizing guidelines.

Dimension tolerance ± 6 mm

PN10 Pattern Flange	Dimensions - mm			No. of Holes	Flange Thickness
	O.D.	B.C.	B.H.		
DN200	340	295	22	8	24
DN250	395	350	22	12	26
DN300	445	400	22	12	26



Note: Model offerings and design parameters may change without notice. See www.solbergmfg.com for most current offering.



Features

- Layered sound absorbent media
- Designed for minimal pressure drop; baffles, internal tubes, and other restrictive devices are unnecessary
- For inlet and discharge inline air service (See temp specs.)
- Durable carbon steel construction with baked enamel finish

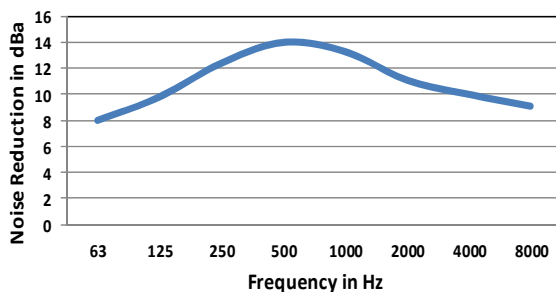
Technical Specifications

- Max. Temperature (continuous): 135°C (275°F)
- Due to the wide range of equipment and environments; please contact factory for typical noise attenuation for your application.

Options

- Flange adapters
- Larger sizes
- Special connections

Typical Noise Attenuation



- Noise attenuation may vary due to the wide range of applications and machines

Inlet/Outlet Connections

Inlet/Outlet Size	Inlet/Outlet Type	Assembly m ³ /h Rating	Part Number	Dimensions - mm			Approx. Wt. kg
				A	B	C	
1"	FPT	75	SLCR100	305	17	64	2
1 1/4"	BSPP	95	SLCR126	305	17	64	2
1 1/2"	BSPP	265	SLCR151	305	17	79	3
2"	BSPP	460	SLCR201	400	17	92	4
2 1/2"	BSPP	655	SLCR251	533	38	118	8
3"	BSPP	980	SLCR301	660	40	130	10
4"	BSPP	980	SLCR401	621	43	254	26
1/2"	MPT	45	SLCRT050	352	51	79	2
3/4"	MPT	60	SLCRT075	368	51	79	2
1"	MPT	75	SLCRT100	368	51	79	2
1 1/4"	BSPT	95	SLCRT126	368	51	79	2
1 1/2"	BSPT	265	SLCRT151	356	44	79	3
2"	BSPT	460	SLCRT201	470	54	92	4
2 1/2"	BSPT	655	SLCRT251	601	67	118	8
3"	BSPT	980	SLCRT301	711	67	130	10
4"	BSPT	980	SLCRT401	744	102	254	26

Dimension tolerance ± 6 mm

Note: MPT and FPT threaded housings are interchangeable with BSPT and BSPP up to 1".

Compact Filter Silencers for Blowers

QB Series 2"- DN150 BSPT, Flange



Features

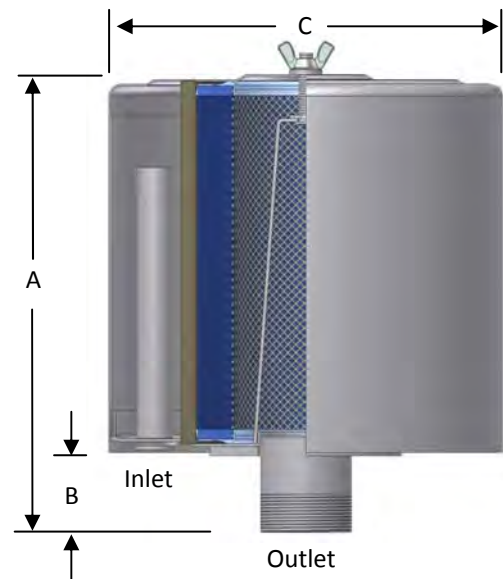
- Multiple silencing features; reduce and deaden sound
 - Silencing tubes are positioned to maximize attenuation and air flow while minimizing pressure drop
 - “Quiet band” technology utilizes sound suppression in the design of the weatherhood
- Fully drawn weatherhood—no welds to rust or vibrate
- Low pressure drop housing design
- Durable carbon steel construction with gray baked enamel finish

Technical Specifications

- Temp (continuous): min -26°C (-15°F) max 104°C (220°F)
- Filter change out differential: 37-50 mbar over initial ΔP
- Pressure drop graphs available upon request
- Polyester: 99%+ removal efficiency standard to 5 micron
- Paper: 99%+ removal efficiency standard to 2 micron

Options

- 1/8" tap holes (only available for 3" & larger connections)
- Pressure drop indicator (See page 3-12)
- Various media for different environments
- Stainless steel construction or epoxy coated finishes
- Special connections
- Side Access Silencer Filters (LQB Series) for space restricted enclosures (select models)





SOLBERG® Compact Filter Silencers for Blowers

QB Series 2" - DN150 BSPT, Flange

Filter Silencers

BSPT Outlet Connections

BSPT Outlet	Assembly m ³ /h Rating	Assembly Part Number		Dimensions - mm			No. of Silencing Tubes	Approx. Weight kg	Replacement Element Part No.		Element m ³ /h Rating
		Polyester	Paper	A	B	C			Polyester	Paper	
2"	230	QB-231P-201	QB-230P-201	311	57	254	7	6	231P	230P	510
2 1/2"	332	QB-231P-251	QB-230P-251	318	64	254	9	6	231P	230P	510
3"	510	QB-231P-301	QB-230P-301	330	76	254	9	6	231P	230P	510
3"	510	QB-235P-301	QB-234P-301	330	76	406	9	13	235P	234P	969
3"	510	QB-275P-301	QB-274P-301	330	76	406	9	15	275P	274P	1870
4"	884	QB-235P-401	QB-234P-401	356	102	406	9	14	235P	234P	969
4"	884	QB-275P-401	QB-274P-401	356	102	406	9	15	275P	274P	1870
5"	1360	QB-245P-501	QB-244P-501	356	102	406	14	15	245P	244P	1496
5"	1360	QB-275P-501	QB-274P-501	356	102	406	14	16	275P	274P	1870
6"	1870	QB-275P-601	QB-274P-601	394	133	406	18	17	275P	274P	1870

See Filter Silencer Technical Data section for sizing guidelines.

Dimension tolerance ± 6 mm

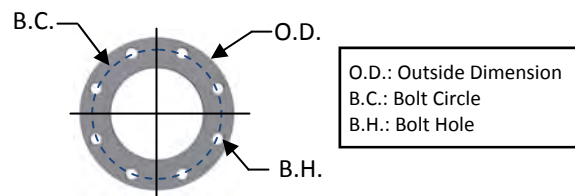
PN10 Pattern Flange Outlet Connections

Flange Outlet	Assembly m ³ /h Rating	Assembly Part Number		Dimensions - mm			No. of Silencing Tubes	Approx. Weight kg	Replacement Element Part No.		Element m ³ /h Rating
		Polyester	Paper	A	B	C			Polyester	Paper	
DN80	510	QB-235P-DN80	QB-234P-DN80	330	76	406	9	13	235P	234P	969
DN80	510	QB-275P-DN80	QB-274P-DN80	330	76	406	9	15	275P	274P	1870
DN100	884	QB-245P-DN100	QB-244P-DN100	356	102	406	9	16	245P	244P	1496
DN100	884	QB-275P-DN100	QB-274P-DN100	356	102	406	9	18	275P	274P	1870
DN125	1360	QB-245P-DN125	QB-244P-DN125	356	102	406	14	17	245P	244P	1496
DN125	1360	QB-275P-DN125	QB-274P-DN125	356	102	406	14	18	275P	274P	1870
DN150	1870	QB-275P-DN150	QB-274P-DN150	394	133	406	18	19	275P	274P	1870

See Filter Silencer Technical Data section for sizing guidelines.

Dimension tolerance ± 6 mm

PN10 Pattern Flange	Dimensions - mm			No. of Holes	Flange Thickness
	O.D.	B.C.	B.H.		
DN 80	200	160	18	8	20
DN100	220	180	18	8	20
DN125	250	210	18	8	22
DN150	285	240	22	8	22



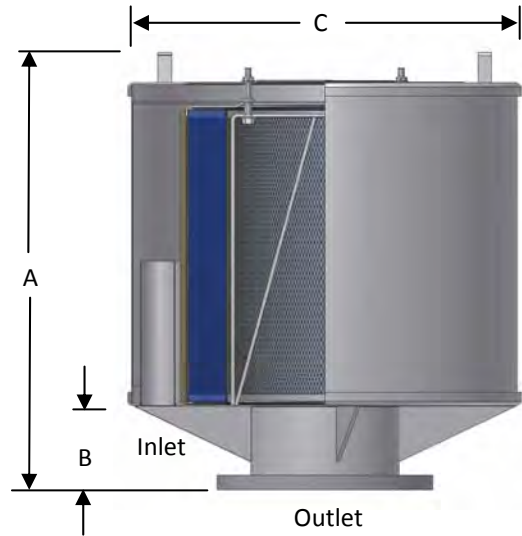
Note: Model offerings and design parameters may change without notice. See www.solbergmfg.com for most current offering.

Big Boy Filter Silencers for Blowers

QB Series DN200 - DN300 Flange



Filter Silencers



Features

- Multiple silencing features; reduce and deaden sound
 - Silencing tubes are positioned to maximize attenuation and air flow while minimizing pressure drop
 - “Quiet band” technology utilizes sound suppression in the design of the weatherhood
- Fully drawn weatherhood—no welds to rust or vibrate
- Low pressure drop housing design
- Durable carbon steel construction with gray baked enamel finish

Technical Specifications

- Temp (continuous): min -26°C (-15°F) max 104°C (220°F)
- Filter change out differential: 37-50 mbar over initial ΔP
- Pressure drop graphs available upon request
- Polyester: 99%+ removal efficiency standard to 5 micron
- Paper: 99%+ removal efficiency standard to 2 micron

Options

- 1/8” tap holes
- Pressure drop indicator (See page 3-12)
- Various media for different environments
- Stainless steel construction or epoxy coated finishes
- Special connections
- Side Access Silencer Filters (LQB Series) for space restricted enclosures (select models)

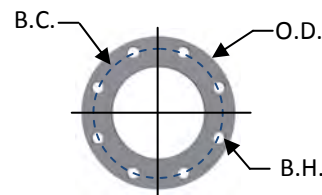
PN10 Pattern Flange Outlet Connections

Flange Outlet	Assembly m ³ /h Rating	Assembly Part Number		Dimensions - mm			No. of Silencing Tubes	Approx. Weight kg	Replacement Element Part No.		Element m ³ /h Rating
		Polyester	Paper	A	B	C			Polyester	Paper	
DN200	3060	QB-377P-DN200	QB-376P-DN200	584	152	572	12	50	377P	376P	3105
DN200	3060	QB-385P-DN200	QB-384P-DN200	584	152	724	12	56	385P	384P	5605
DN250	5610	QB-385P-DN250	QB-384P-DN250	584	152	724	16	59	385P	384P	5610
DN250	5610	QB-485P-DN250	QB-484P-DN250	787	152	724	16	64	485P	484P	8000
DN300	7990	QB-485P-DN300	QB-484P-DN300	787	152	724	24	70	485P	484P	8000
DN300	7990	QB-685P-DN300	QB-384P(2)-DN300	965	152	724	24	79	685P	384P	11220
DN300	7990	QB-485P(2)-DN300	QB-484P(2)-DN300	1346	152	724	24	88	485P	484P	16000

See Filter Silencer Technical Data section for sizing guidelines.

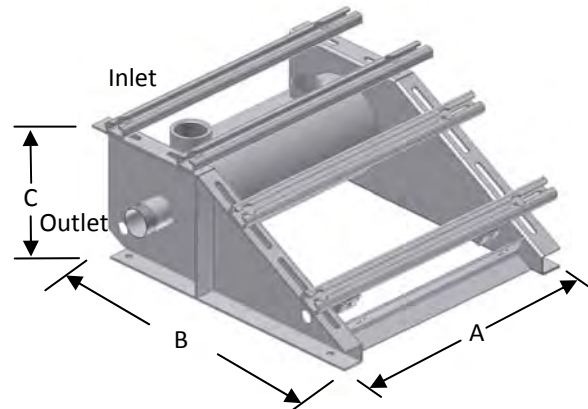
Dimension tolerance ± 6 mm

PN10 Pattern Flange	Dimensions - mm			No. of Holes	Flange Thickness
	O.D.	B.C.	B.H.		
DN200	340	295	22	8	24
DN250	395	350	22	12	26
DN300	445	400	22	12	26



O.D.: Outside Dimension
B.C.: Bolt Circle
B.H.: Bolt Hole

Note: Model offerings and design parameters may change without notice. See www.solbergmfg.com for most current offering.



Features

- Reactive style silencing design
- Integrated discharge silencer
- Adjustable motor supports for belt tensioning
- Pre-assembled rails to frame
- Easy sheaves accessible belt guard
- Carbon steel with baked enamel finish

Technical Specifications

- Pressure Rating: 1 ATM
- Hardware Kit (USA standard nuts, bolts, washers) included
- Ports for: relief valve, pressure & temperature gauges

Options

- Purpose built belt guard
- Flexible boot kit
- Snubber discharge silencer for vacuum applications
- Contact factory for best Solberg filter for your package

Benefits

- Compact design for small blower package footprint
- Low profile allows for easier maintenance inspections
- Quick installation time
- Cost Savings (Minimal packaging, freight & storage)
- Sound enclosures are more economical due to compact frame footprint



Example of Silencer Base Frame Package

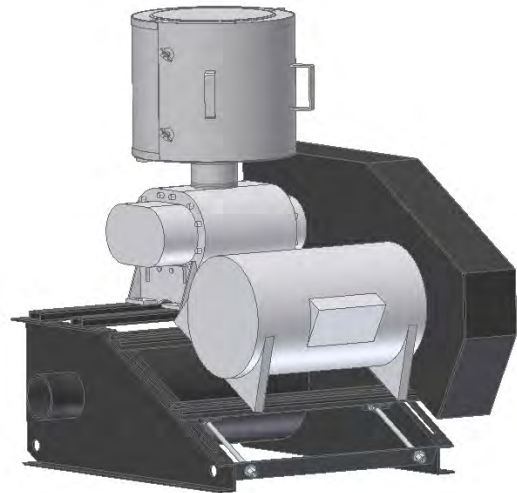
MPT Outlet Connections

Pipe Stub Inlet	MPT Outlet	Assembly m ³ /h Rating	Part Number	Dimensions - mm			Relief Valve Port	Sugg. HP Range	Approx. Wt. kg	Belt Guard for BBF Series	
				A	B	C				Part No.	Weight (kg)
2"	2"	230	BBF-200	597	699	279	2"	3-15+	59	DL-200	9
2 1/2"	2 1/2"	332	BBF-250	597	699	279	2"	3-20+	59	DL-200	9
3"	3"	510	BBF-300	711	889	360	2"	10-30	81	DL-300	10
4"	4"	884	BBF-400	711	889	360	2"	20-50	81	DL-300	10
6"	6" Flg	1870	BBF-600F	883	1003	457	3"	40-60	179	DL-600	13

Note: Model offerings and design parameters may change without notice. See www.solbergmfg.com for most current offering.

Lateral Access Filter Silencer

LQB Series 3" BSPT - DN300 Flg



Features

- Multiple silencing features; reduce and deaden sound
 - Silencing tubes are positioned to maximize attenuation
 - "Quiet band" technology utilizes sound suppression in the design of the housing
- Positive sealing side access door
- Durable carbon steel construction with gray baked enamel finish
- Please contact Solberg for model offerings and availability.

Technical Specifications

- Temp (continuous): min -26°C (-15°F) max 104°C (220°F)
- Filter change out differential: 37-50 mbar over initial ΔP
- Pressure drop graphs available upon request
- Polyester: 99%+ removal efficiency standard to 5 micron
- Paper: 99%+ removal efficiency standard to 2 micron

Benefits

- Easy maintenance due to easy accessible element
- Compact housing design ideal for
 - Blower packages with enclosures
 - Space restricted work areas
- Cost savings due to smaller sound enclosure
- Differentiate your package from traditional
- Designed to be used with Solberg's BBF Series Silencer Base Frame

Options

- 1/8" tap holes
- Pressure drop indicator (See page 3-11)
- Various media for different environments
- Stainless steel construction or epoxy coated finishes
- Special connections

Why Solberg's LQB Series?

LQB Series helps make enclosures feasible and simplifies the maintenance process. Typical filter silencers require service area above the filter housing which increases the height and cost of the enclosure and makes servicing the unit difficult. The LQB Filter Silencer has an easy access side port which simplifies servicing and lowers the cost of your enclosure dramatically.



Examples of LQB Silencer Filter with and without filter element installed. Filter element easily slides out the side port for servicing.

Sumo Class Filter Silencers

Features

- Single barrel filter design allows for large airflows in space restricted work areas
- Tubular silencing designed to maximize attenuation
- Low pressure drop housing construction
- Please contact Solberg for model offerings and availability.

Technical Specifications

- Designed for airflows up to 13600 m³/h
- Temp (continuous): min -26°C (-15°F) max 104°C (220°F)
- Filter change out differential: 37-50 mbar over initial Δ P



Options

- 1/8" tap holes
- Pressure drop indicator
- Various media for different environments
- Stainless steel construction
- Epoxy coated finish

Multibarrel Filter Silencers

Features

- Designed for large airflow applications
- Cartridge style elements provide:
 - Increased reliability-better positive seal than panel filters
 - Added efficiency with maximum surface area
- Tubular silencing designed to maximize attenuation
- Multiple configurations allows for a variety of environments
- Durable carbon steel construction with baked enamel finish
- Please contact Solberg for model offerings and availability.



Technical Specifications

- Designed for airflows up to 42500 m³/h
- Temp (continuous): min -26°C (-15°F) max 104°C (220°F)
- Filter change out differential: 37-50 mbar over initial Δ P
- Polyester: 99%+ removal efficiency standard to 5 micron
- Paper: 99%+ removal efficiency standard to 2 micron

Options (Inquires Encouraged)

- Multiple manifold configurations
- Pressure drop indicator
- Support stands
- Stainless steel construction
- Epoxy coated finish

Notes

Filter Silencers

